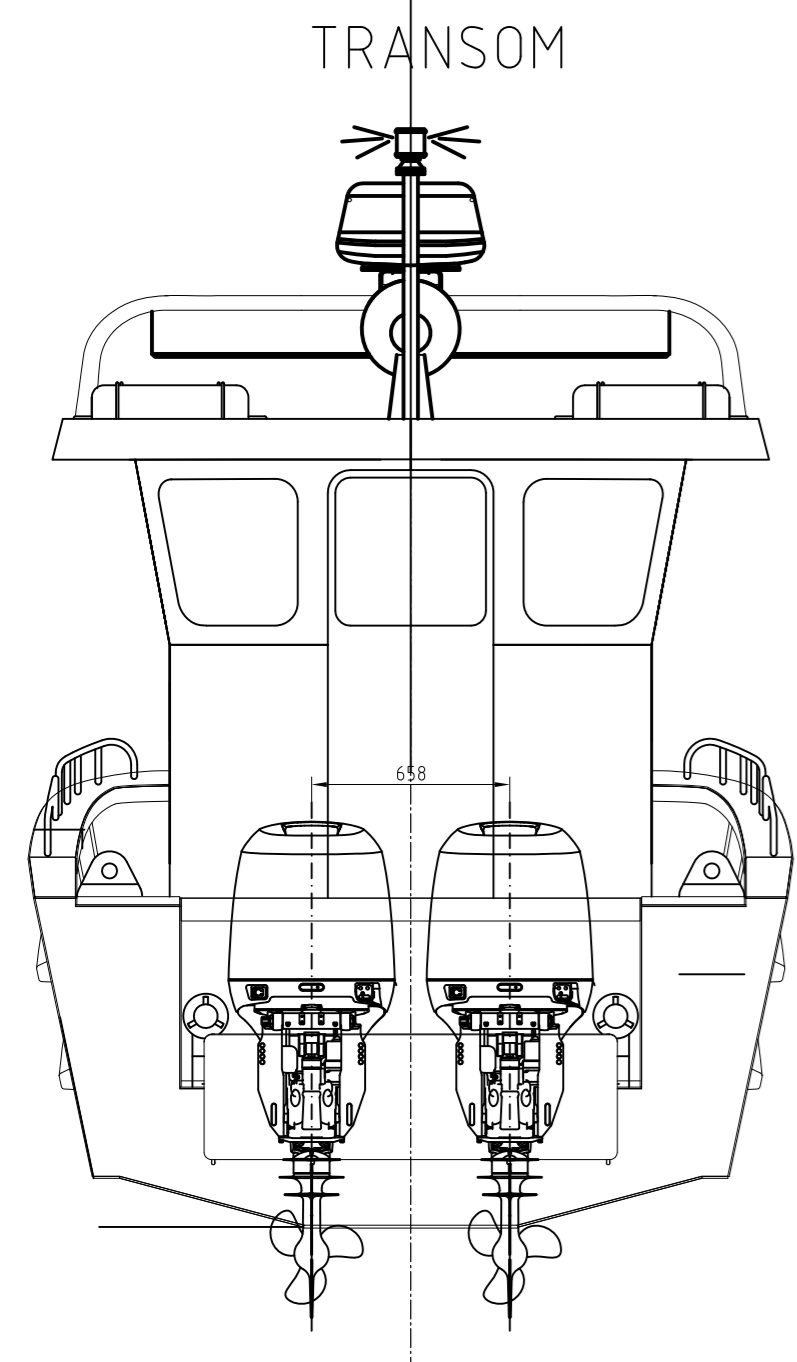
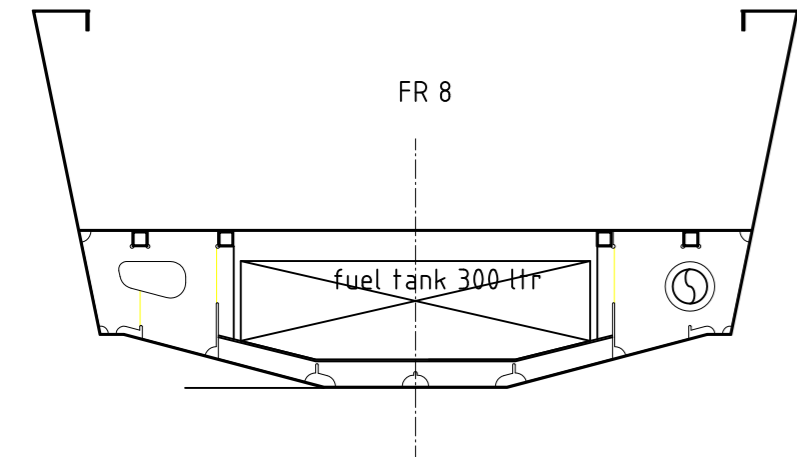


BOW



TRANSOM



FR 8

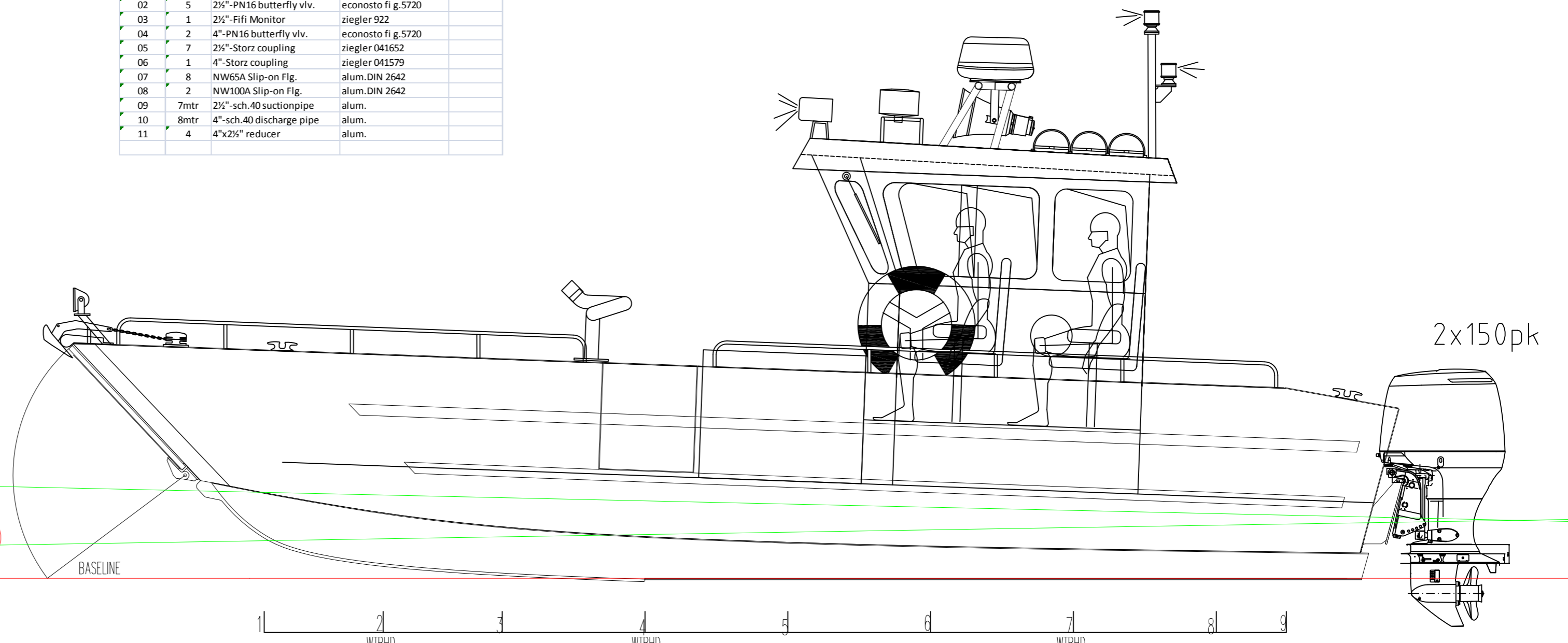
Pos.	Qty	Objekt	type
01	1	Fifi pump 1500 l/min.10 bar	ultra power 3 10-1500-1
02	5	2 1/2"-PN16 butterfly vlv.	econosto fi g.5720
03	1	2 1/2"-Fifi Monitor	ziegler 922
04	2	4"-PN16 butterfly vlv.	econosto fi g.5720
05	7	2 1/2"-Storz coupling	ziegler 041652
06	1	4"-Storz coupling	ziegler 041579
07	8	NW65A Slip-on Flg.	alum.DIN 2642
08	2	NW100A Slip-on Flg.	alum.DIN 2642
09	7mtr	2 1/2"-sch.40 suctionpipe	alum.
10	8mtr	4"-sch.40 discharge pipe	alum.
11	4	4"x2 1/2" reducer	alum.

PROFILE P.S.

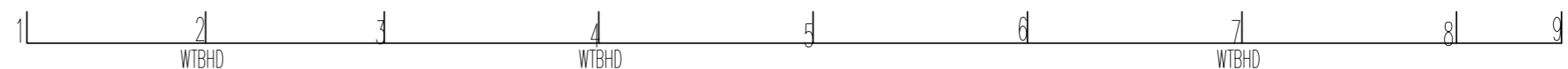
M. @ 4835 kg

M. @ 2545 kg (NO CARGO)

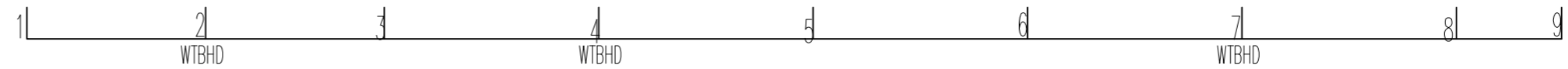
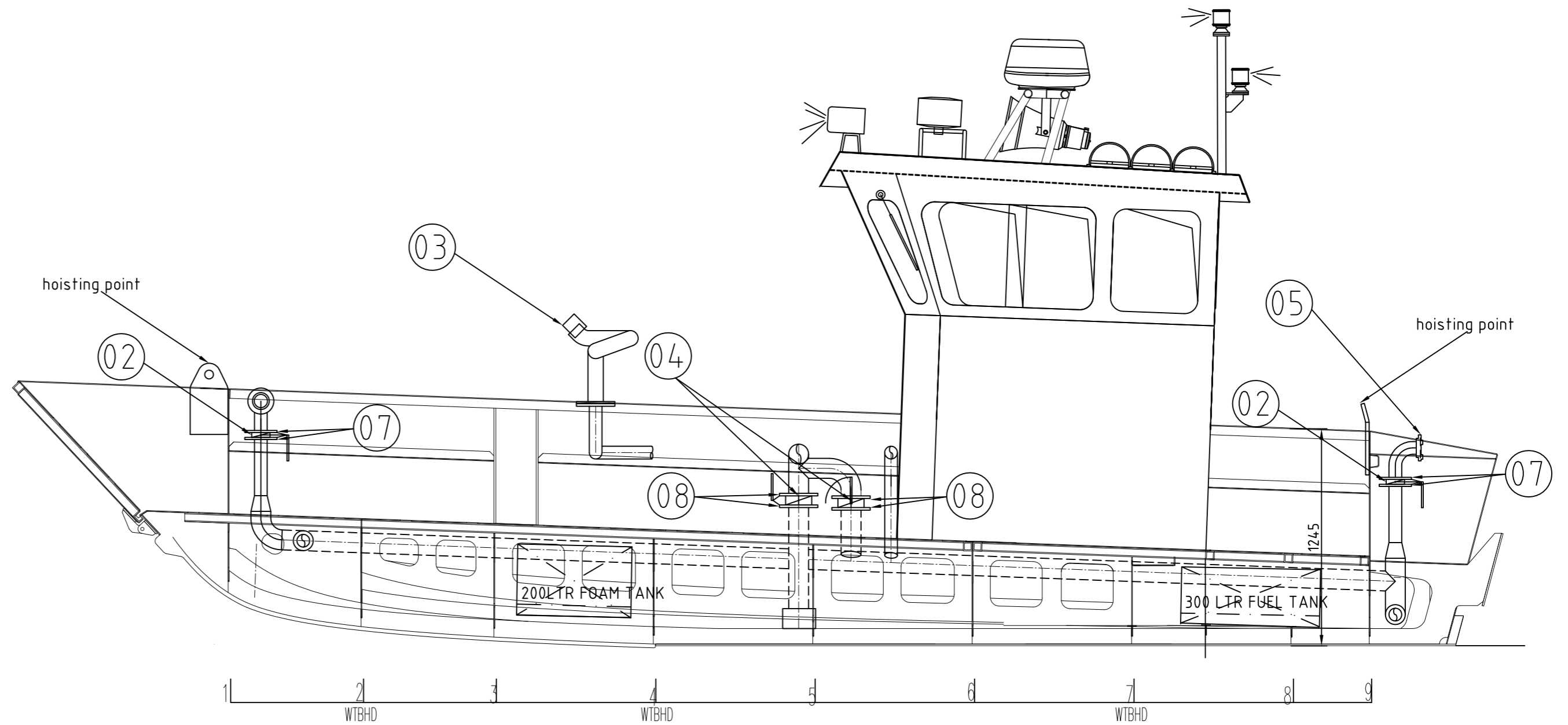
BASELINE



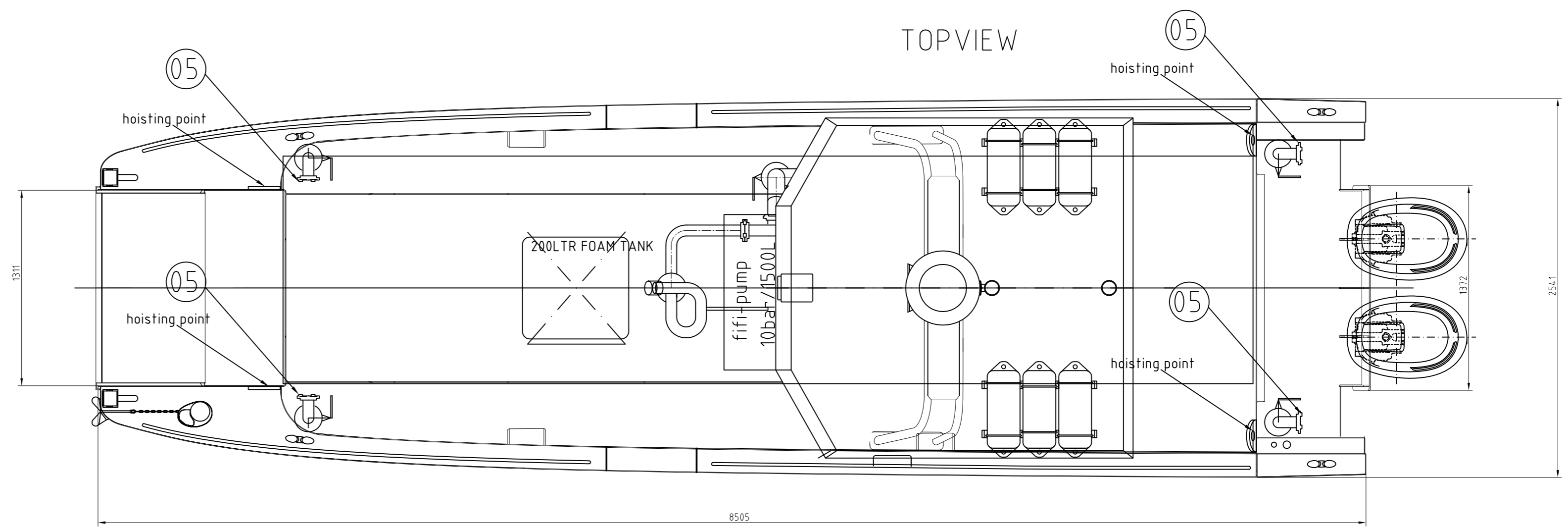
2x150pk



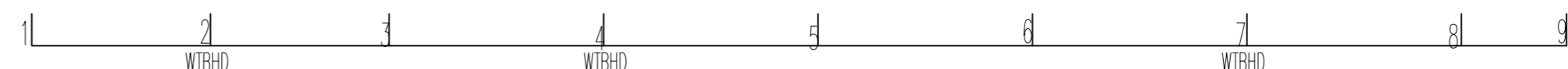
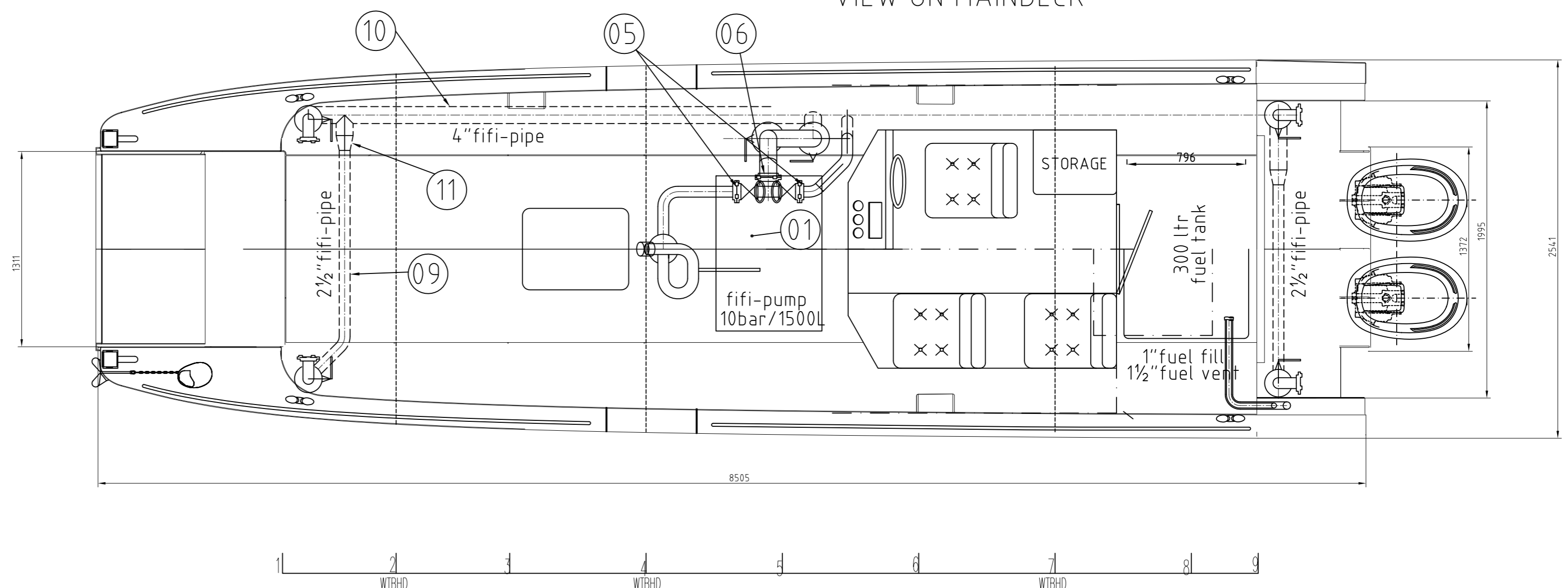
SECTION OVER CL



TOPVIEW



VIEW ON MAINDECK



DRAWING NOT TO BE USED FOR MEASUREMENTS

REVISION	DATE	REMARKS
A	20-04-2011	UPDATED

DRAWN : MDV
 SCALE : 1:25
 DATE : 29-03-2011

SPECIALTY MARINE
 PO BOX 10811, Seppois, OR 97066
 European representative
Ruce
Roberts Europe B.V.

TITLE : SPM719 FIFI LANDING CRAFT
 G.A.FIFI INSTALLATION
 DRAWINGNUMBER 31522-01-02

MEASUREMENTS : MM
 TOLERANCES : UNLESS STATED OTHERWISE : ±1

DUPLICATION OR COPYING OF ANY INFORMATION CONTAINED IN THIS DRAWING IS STRICTLY PROHIBITED WITHOUT WRITTEN CONSENT FROM Ruce Roberts Europe BV OR SPECIALTY MARINE

SIZE : A1
 REVISION : A